

H&S PARTS BOOK

24/26 CHASSIS



Revision #00
Starting Ser. #112030

Part #74103
HSMFG0115

P.O. BOX 768, MARSHFIELD, WI 54449
(715) 387-3414 FAX (715) 384-5463
www.hsmfgco.com

CONTENTS

| | |
|--|-------|
| Instructions for Ordering Parts - About Improvements | 1 |
| Figure 1 - Main Frame & Components | 2-3 |
| Figure 2 - Slider Mount Assembly | 4-5 |
| Figure 3 - Tandem & Components | 6-7 |
| Figure 4 - Optional Brake Harness Assembly | 8-9 |
| Figure 5 - Optional Brake Line Assembly | 10-11 |
| Figure 6 - Optional Brake Assembly..... | 12-13 |
| Notes | 14 |

INSTRUCTIONS FOR ORDERING PARTS

All service parts should be ordered through your authorized H&S dealer. They will be able to give you faster service if you will provide them with the following

1. Model & Serial number is located on the left, rear main frame of your unit.
2. All reference to left or right apply to the machine as viewed from the rear.
3. Parts should not be ordered from illustration only. Please order by complete part number.
4. If your dealer has to order parts - give shipping instructions:
VIA truck - large pieces (please specify local truck lines)
VIA United Parcel Service (include full address)

| | |
|------------------------------|----------------------|
| H&S MFG. CO. INC. | |
| MARSHFIELD, WIS. | |
| MOD. NO. | <input type="text"/> |
| SER. NO. | <input type="text"/> |
| DESCR. | <input type="text"/> |

PLEASE RECORD NUMBERS FOR YOUR UNIT FOR QUICK REFERENCE

ABOUT IMPROVEMENTS

H&S IS CONTINUALLY STRIVING TO IMPROVE IT'S PRODUCTS

We must therefore, reserve the right to make improvements or changes whenever it becomes practical to do so without incurring any obligation to make changes or additions to the equipment previously sold.

FIGURE 1

MAIN FRAME & COMPONENTS

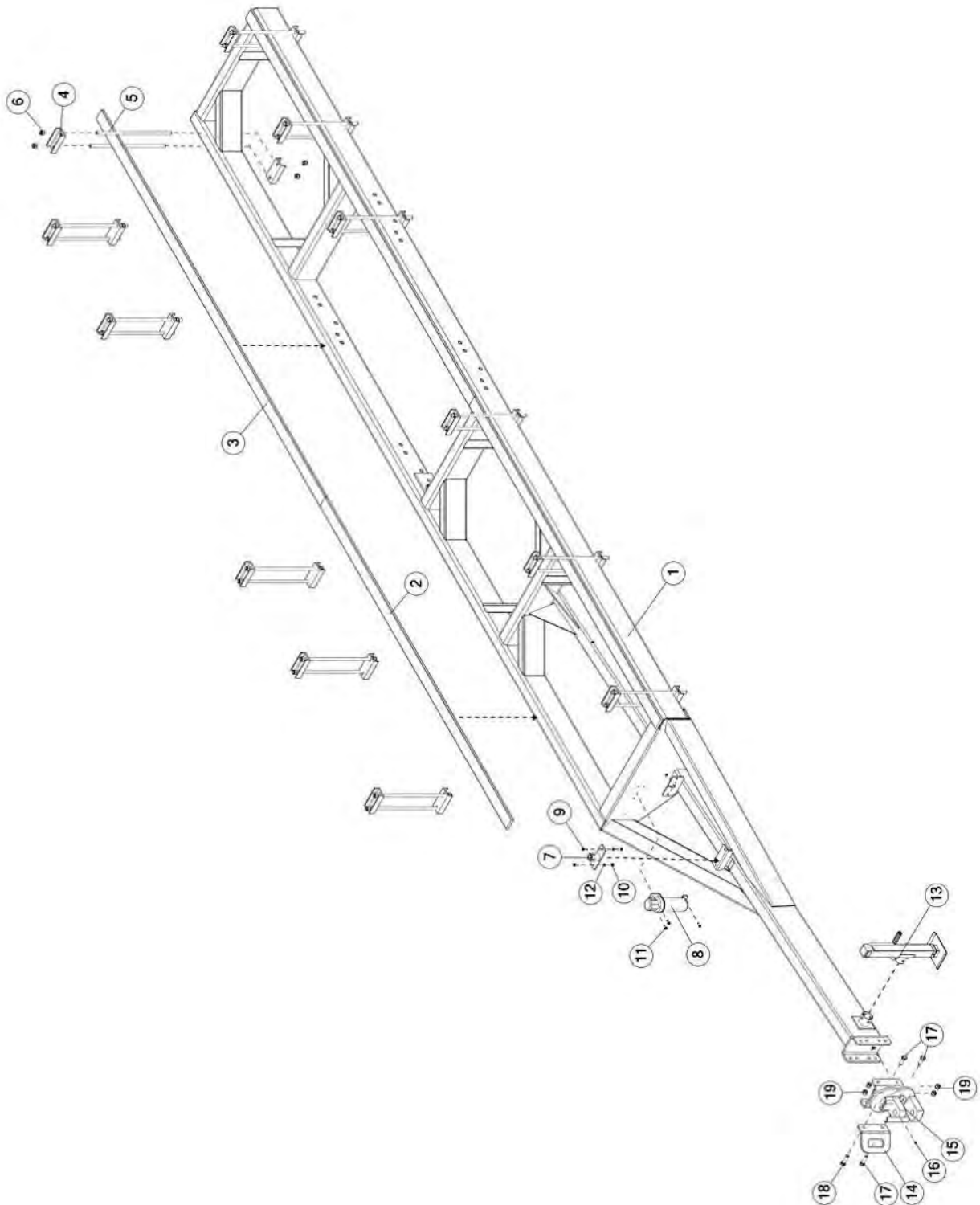


FIGURE 1

MAIN FRAME & COMPONENTS

| <u>ITEM</u> | <u>QTY</u> | <u>PART #</u> | <u>DESCRIPTION</u> |
|-------------|------------|---------------|--------------------------------------|
| 1 | 1 | FBC10 | FRAME |
| 2 | 2 | 70636 | REAR WOOD CHASSIS SPACER |
| 3 | 2 | 70634 | FRONT WOOD CHASSIS SPACER |
| 4 | 16 | 69906 | CHL, C, 3.00 X 1.52 X 6.50, TIE DOWN |
| 5 | 16 | FBC6 | SPACER BOLT |
| 6 | 32 | YNNY24006 | HEX NUT, NYLON LOCKNUT, 3/4 (FINE) |
| 7 | 1 | FBC67 | BULLDOG MOUNT |
| 8 | 1 | S522 | MANUAL HOLDER |
| 9 | 2 | YBHH12010 | BOLT, 3/8-16 X 1 GR 5 |
| 10 | 2 | YNHX12005 | HEX NUT, 3/8-16 |
| 11 | 3 | YSST10005 | .312 X 1 SELF THREADING FLANGE BOLT |
| 12 | 2 | YWLO12005 | WASHER, LOCK, 3/8 |
| 13 | 1 | TS306 | 7000 LB SQUARE JACK 15" TRAVEL |
| 14 | 1 | FBC27 | SAFETY CHAIN MOUNT |
| * | 1 | SC60000 | SAFETY CHAIN 60,000 LB. RATING |
| 15 | 1 | FBC9 | COMPLETE SWIVEL HITCH ASY. |
| 16 | 1 | G89 | ZERK, 1/4"-28 STRAIGHT-STD #1641 |
| 17 | 3 | YBHH24017 | BOLT, 3/4-16 X 2 GR 8 |
| 18 | 4 | YBHH24031 | BOLT, 3/4-16 X 2.5 GR 8 |
| 19 | 4 | YNNY24006 | HEX NUT, NYLON LOCKNUT, 3/4 (FINE) |

***MEANS NOT SHOWN**

FIGURE 2 **SLIDER MOUNT ASSEMBLY**

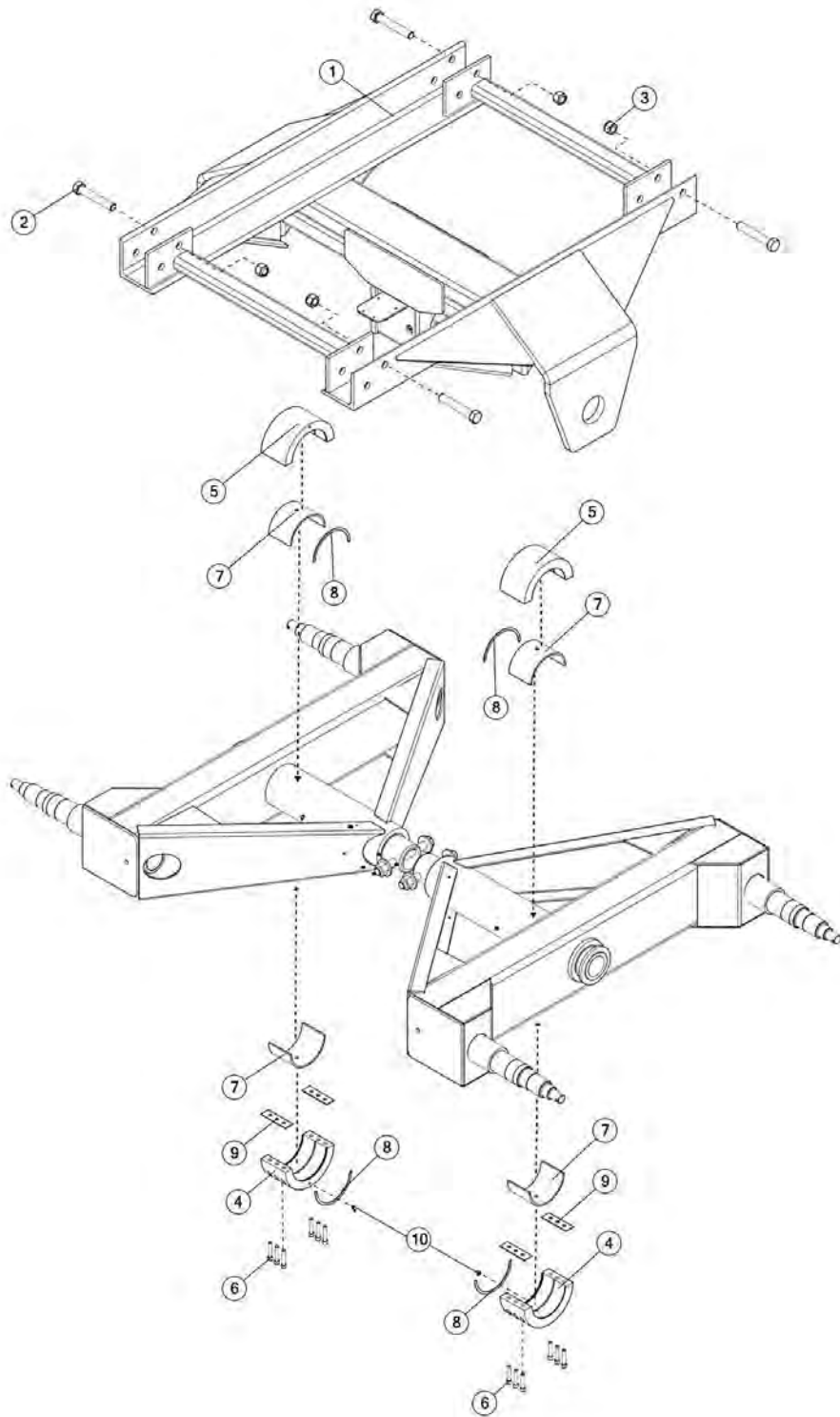


FIGURE 2
SLIDER MOUNT ASSEMBLY

| <u>ITEM</u> | <u>QTY</u> | <u>PART #</u> | <u>DESCRIPTION</u> |
|--------------------|-------------------|----------------------|--|
| 1 | 1 | FBC13 | SLIDER |
| 2 | 4 | YBHH32025 | BOLT, 1"-8 X 6 GR 5 |
| 3 | 4 | YNNY32005 | HEX NUT, NYLON LOCKNUT, 1"-8 |
| 4 | 2 | FBC19 | SADDLE BOTTOM |
| 5 | 2 | FBC18 | PHENOLIC BEARING CENTER |
| 6 | 12 | YSHS14017 | SOCKET HEAD CAP SCREW, 7/16-20 X 2-1/4 |
| 7 | 4 | FBC18 | PHENOLIC BEARING CENTER |
| 8 | 4 | FBC29 | PHENOLIC KEEPER |
| 9 | 4 | FBC24 | SADDLE SHIM |
| 10 | 2 | GM503 | GREASE ZERK 60104 90 DEGREE |

FIGURE 3 TANDEM & COMPONENTS

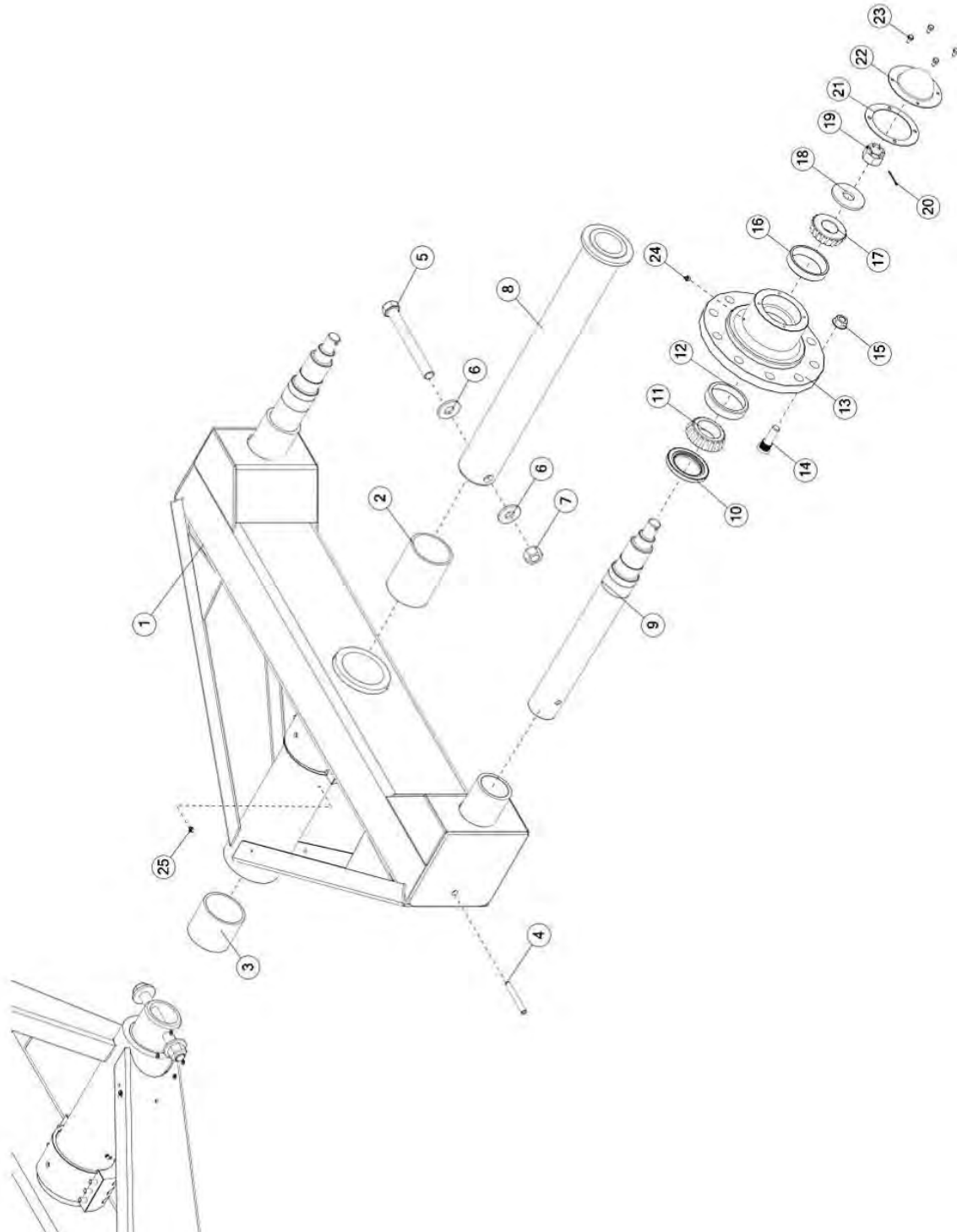


FIGURE 3

TANDEM & COMPONENTS

| <u>ITEM</u> | <u>QTY</u> | <u>PART #</u> | <u>DESCRIPTION</u> |
|-------------|------------|---------------|---|
| 1 | 1 | FBC33 | TANDEM BEAM RIGHT LONG |
| * | 1 | FBC32 | TANDEM BEAM LEFT LONG |
| 2 | 2 | FBC16 | PHENOLIC BEARING OUTER |
| 3 | 2 | FBC17 | PHENOLIC BEARING INNER |
| 4 | 4 | YPEX16020 | EXPANSION PIN, 1/2" X 4" |
| 5 | 2 | YBHH32040 | BOLT, 1 X 9 GR 5 |
| 6 | 4 | FBC26 | TANDEM BOLT WASHER |
| 7 | 2 | YNRL32005 | HEX NUT, REVERSIBLE-SIDE LOCK, 1"-8 |
| 8 | 2 | FBC14 | AXLE PIVOT TUBE |
| 9 | 4 | FBC31 | TANDEM SPINDLE |
| 10 | 4 | 60N5 | SEAL--600 BUSHEL |
| 11 | 4 | 60N7 | INNER BEARING--600 BUSHEL |
| 12 | 4 | 60N6 | INNER RACE--600 BUSHEL |
| 13 | 4 | 54492 | 871 HUB WITH TIMKEN BEARINGS, 10 BOLT |
| 14 | 40 | YBSD24010 | STUD BOLT, 3/4-16UNF X 2-3/4 (3/4 SHOULDER) |
| 15 | 40 | 60N14 | HEX FLANGE NUT, 3/4-16 UNF-28, GR 8 |
| 16 | 4 | 60N10 | OUTER RACE--600 BUSHEL |
| 17 | 4 | 60N9 | OUTER BEARING--600 BUSHEL |
| 18 | 4 | 60N2 | SPINDLE WASHER |
| 19 | 4 | YNCA36005 | HEX NUT, CASTLE, 1-1/4"-12 |
| 20 | 4 | YPCT05010 | COTTER PIN 5/32" X 1-1/2" |
| 21 | 4 | 56234 | HUB CAP GASKET |
| 22 | 4 | 60N11 | HUB CAP--600 BUSHEL |
| 23 | 16 | YBHH10020 | BOLT, 5/16 X 1/2 GR 5 |
| 24 | 4 | BFR28 | 1/8" NPT GREASE ZERK |
| 25 | 2 | RG51 | ZERK, 90 DEGREE 1/4"-28 # B1911 |

***MEANS NOT SHOWN**

FIGURE 4 OPTIONAL BRAKE HARNESS ASSEMBLY

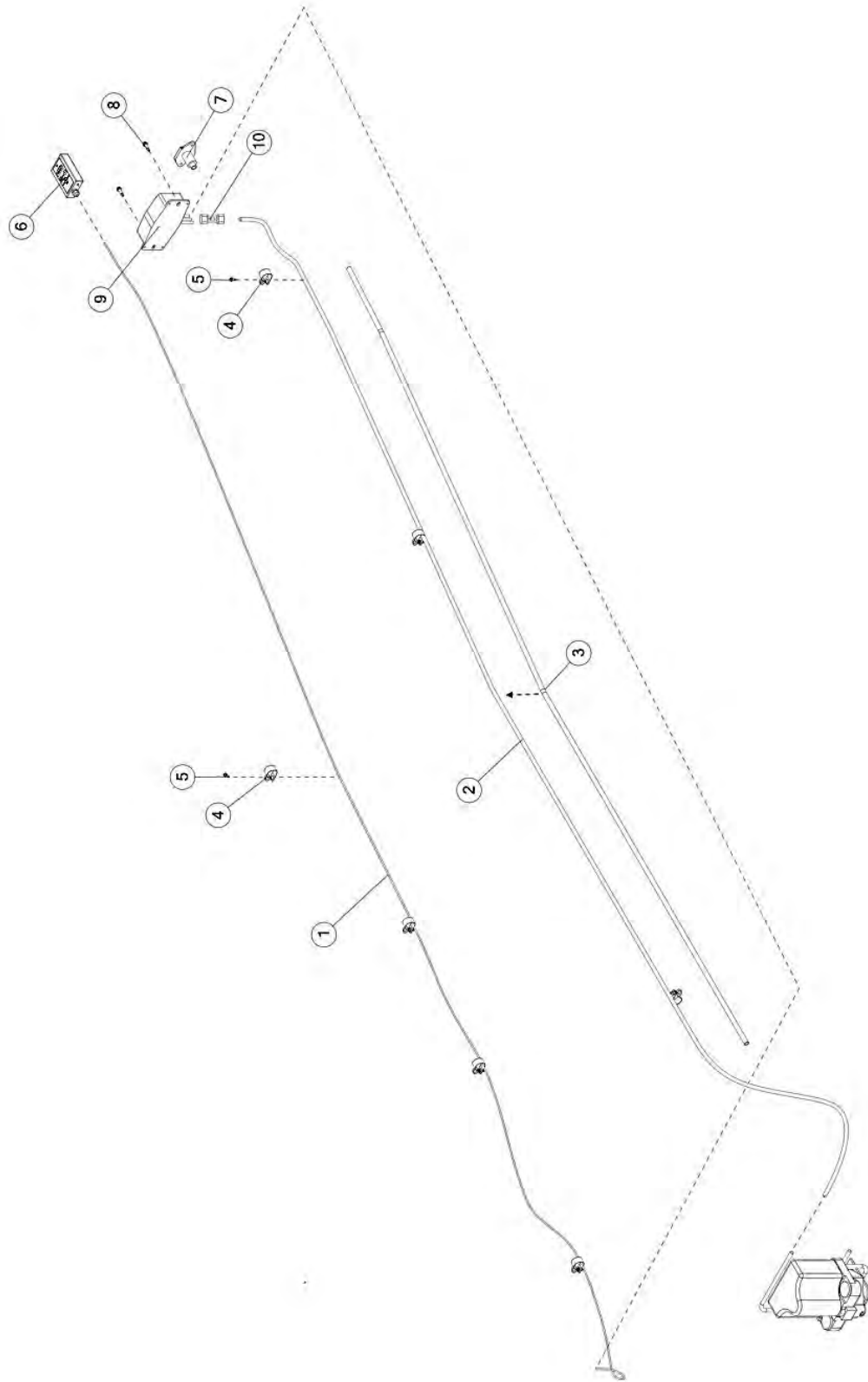


FIGURE 4
OPTIONAL BRAKE HARNESS ASSEMBLY

| <u>ITEM</u> | <u>QTY</u> | <u>PART #</u> | <u>DESCRIPTION</u> |
|--------------------|-------------------|----------------------|---|
| 1 | 1 | FBC30 | BRAKE HARNESS |
| * | 1 | 61043 | EXTENSION HARNES 8 FEET |
| 2 | 1 | FBC40 | EXTENSION HARNESS 4858900 |
| 3 | 1 | FBC42 | 1/2" EMT CONDUIT 120" LENGTH |
| 4 | 7 | HGV72 | CUSHION WIRE CLAMP |
| 5 | 7 | YSDR64005 | SELF DRILLING SCREW, HEX WASHER HEAD, #10-16 X 5/8 (ZINC) |
| 6 | 1 | FBC38 | IN CAB CONTROLLER |
| 7 | 1 | 8621 | 4 POLE TRAILER SOCKET |
| 8 | 2 | YSDR08005 | SELF DRILLING SCREW, HEX WASHER HEAD, 1/4-14 X 1 (ZINC) |
| 9 | 1 | FBC39 | SD CONTROL MODULE 4834200 |
| 10 | 2 | 57601 | PRESSURE REDUCER FOR BRAKE SYSTEM |

***MEANS NOT SHOWN**

FIGURE 5 **OPTIONAL BRAKE LINE ASSEMBLY**

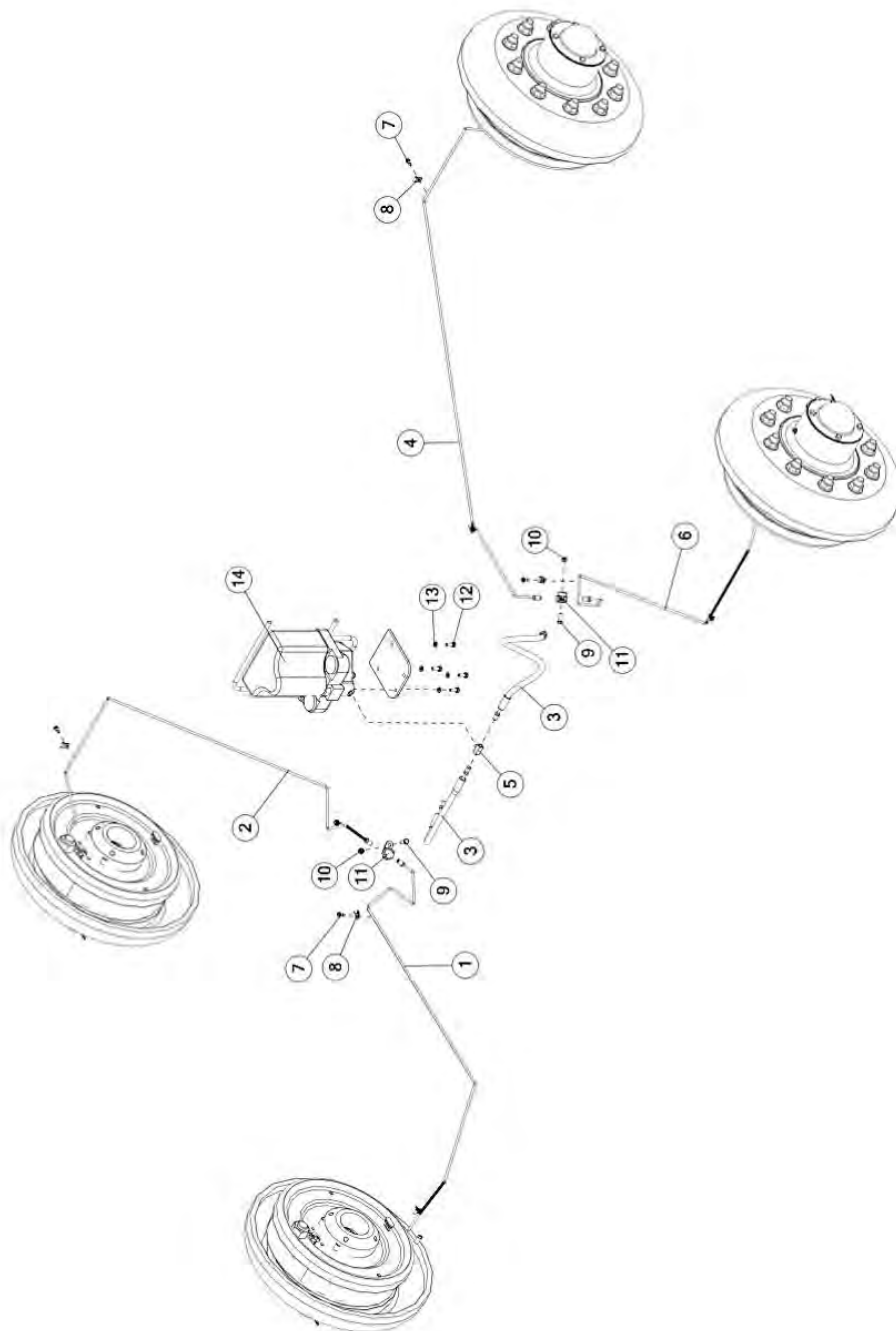


FIGURE 5
OPTIONAL BRAKE LINE ASSEMBLY

| <u>ITEM</u> | <u>QTY</u> | <u>PART #</u> | <u>DESCRIPTION</u> |
|--------------------|-------------------|----------------------|---|
| 1 | 1 | FBC44 | HYDRAULIC BRAKE LINE (REAR) |
| 2 | 1 | FBC47 | HYDRAULIC BRAKE LINE 60" |
| 3 | 2 | FBC46 | HYDRAULIC BRAKE HOSE |
| 4 | 1 | FBC63 | HYDRAULIC BRAKE LINE 57-1/2" (RH FRONT) FBC66 KIT |
| 5 | 1 | FBC45 | TEE |
| 6 | 1 | FBC62 | HYDRAULIC BRAKE LINE 48" (RH REAR) |
| 7 | 8 | YSDR64005 | SELF DRILLING SCREW, HEX WASHER HEAD, #10-16 X 5/8 (ZINC) |
| 8 | 8 | FBC64 | LOOP CLAMP 3/16" D LOOP |
| 9 | 2 | YBHH08100 | BOLT, 1/4 X 3/4 GR 5 |
| 10 | 2 | YNNY08005 | HEX NUT, NYLON LOCKNUT, 1/4-20 |
| 11 | 2 | RGB26 | TEE |
| 12 | 4 | YBHH08100 | BOLT, 1/4 X 3/4 GR 5 |
| 13 | 4 | YWLO08005 | WASHER, LOCK, 1/4 |
| 14 | 1 | FBC41 | BRAKERITE II 4834100 |

FIGURE 6
OPTIONAL BRAKE ASSEMBLY

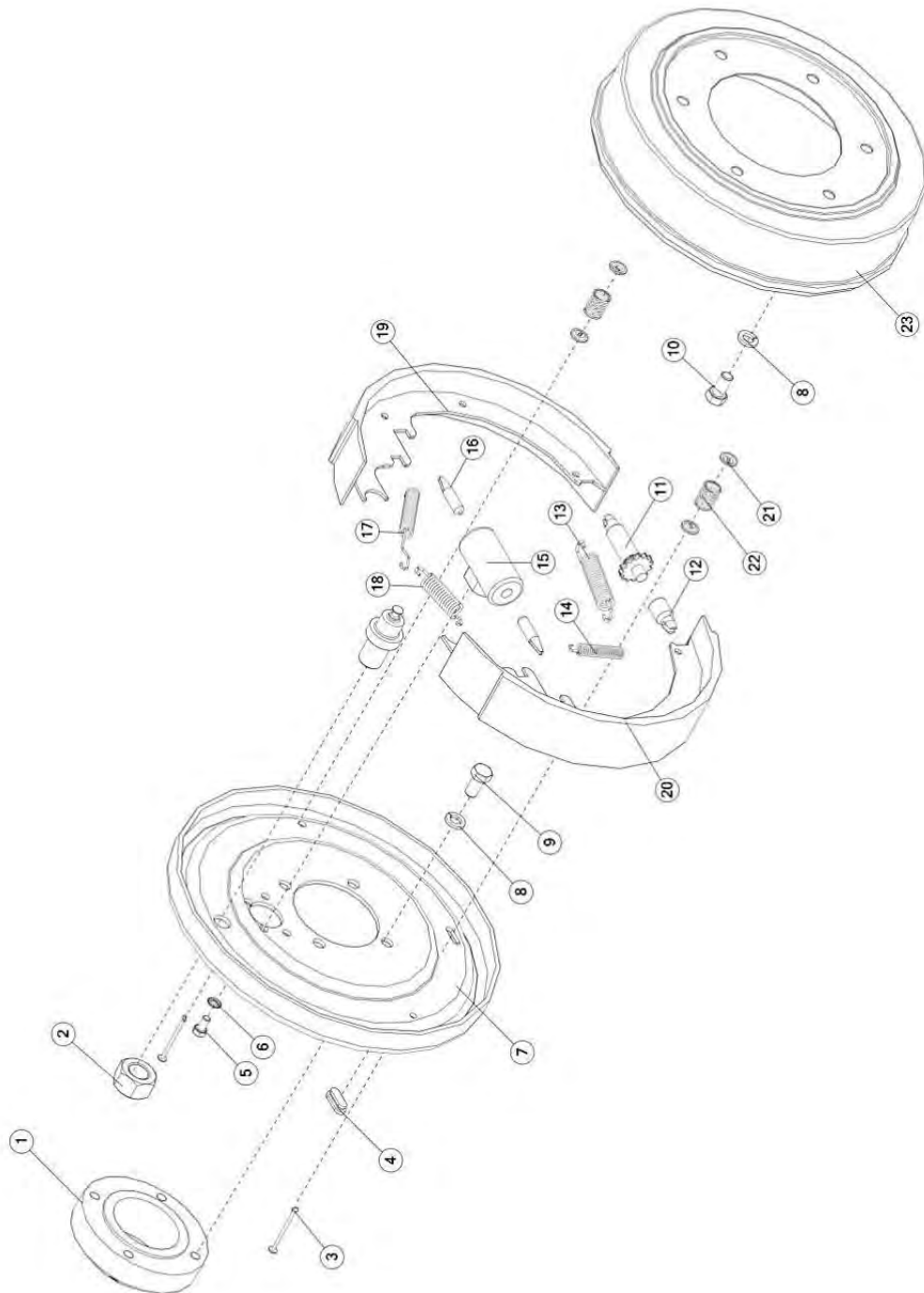
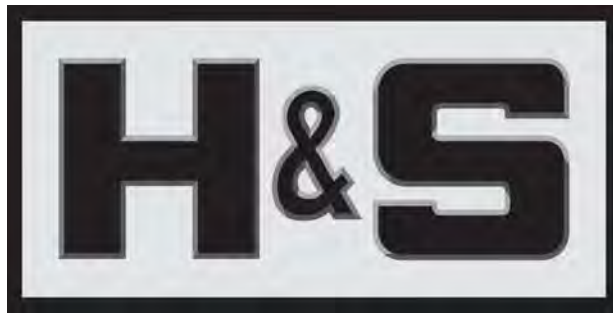


FIGURE 6

OPTIONAL BRAKE ASSEMBLY

| <u>ITEM</u> | <u>QTY</u> | <u>PART #</u> | <u>DESCRIPTION</u> |
|-------------|------------|---------------|---------------------------------|
| 1 | 1 | CB17 | BACKING PLATE MOUNT |
| 2 | 1 | YNHX32011 | HEX NUT, 1"- 8 |
| 3 | 2 | RGB56 | PIN-SHOE HOLD DOWN |
| 4 | 1 | FBC55 | ADJUSTING HOLE COVER |
| 5 | 2 | YBHH10132 | BOLT, 5/16 X 5/8 |
| 6 | 2 | YWSI10005 | 5/16" STAR LOCK WASHER |
| 7 | 1 | FBC49 | 13" INCH FB BRAKE RH |
| 8 | 4 | YWLO16005 | WASHER, LOCK, 1/2 |
| 9 | 4 | YBHH16010 | BOLT, 1/2 X 1 GR 5 |
| 10 | 6 | YBHH16011 | 1/2-20 1" HEX CAP SCREW GRADE 5 |
| 11 | 1 | RGB49 | ADJUSTING SCREW |
| 12 | 1 | RGB61 | SOCKET |
| 13 | 1 | RGB50 | SPRING ADJUSTING SCREW |
| 14 | 1 | RGB76 | SPRING SHOE |
| 15 | 1 | FBC52 | WHEEL CYLINDER ASSEMBLY LEFT |
| * | 1 | FBC53 | WHEEL CYLINDER ASSEMBLY RIGHT |
| 16 | 2 | FBC54 | PUSH ROD |
| 17 | 1 | RGB55 | SPRING SHOE |
| 18 | 1 | RGB75 | SPRING LEVER |
| 19 | 1 | FBC50 | BRAKE SHOE REAR |
| 20 | 1 | FBC52 | WHEEL CYLINDER ASSEMBLY LEFT |
| 21 | 4 | RGB57 | CUP SHOE HOLD DOWN |
| 22 | 2 | RGB59 | SPRING HOLD DOWN |
| 23 | 1 | RGE10 | 13" INCH BRAKE DRUM |

***MEANS NOT SHOWN**



**H&S Manufacturing products are approved for the
FEMA SEAL OF QUALITY**

**P.O. BOX 768, MARSHFIELD, WI 54449
(715) 387-3414 FAX (715) 384-5463
www.hsmfgco.com**